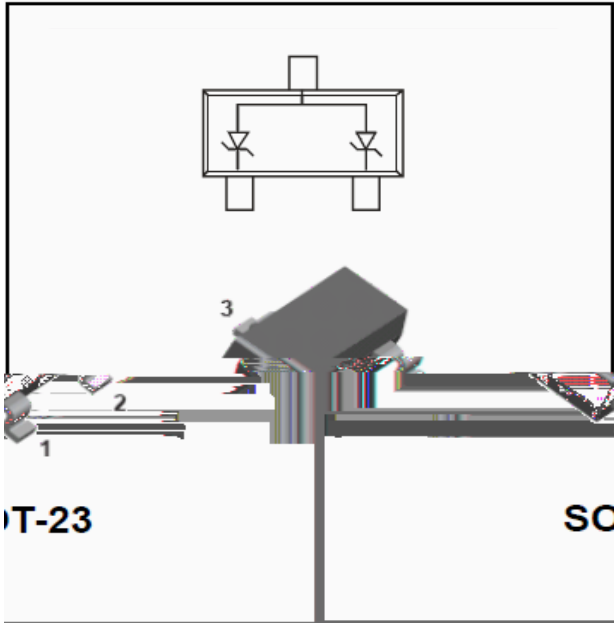


Zener Diode



Features


Ordering Information (Example)

PREFERRED P/N	PACKING CODE	UNIT WEIGHT(g)	MINIMUM PACKAGE(pcs)	INNER BOX QUANTITY(pcs)	OUTER CARTON QUANTITY(pcs)	DELIVERY MODE

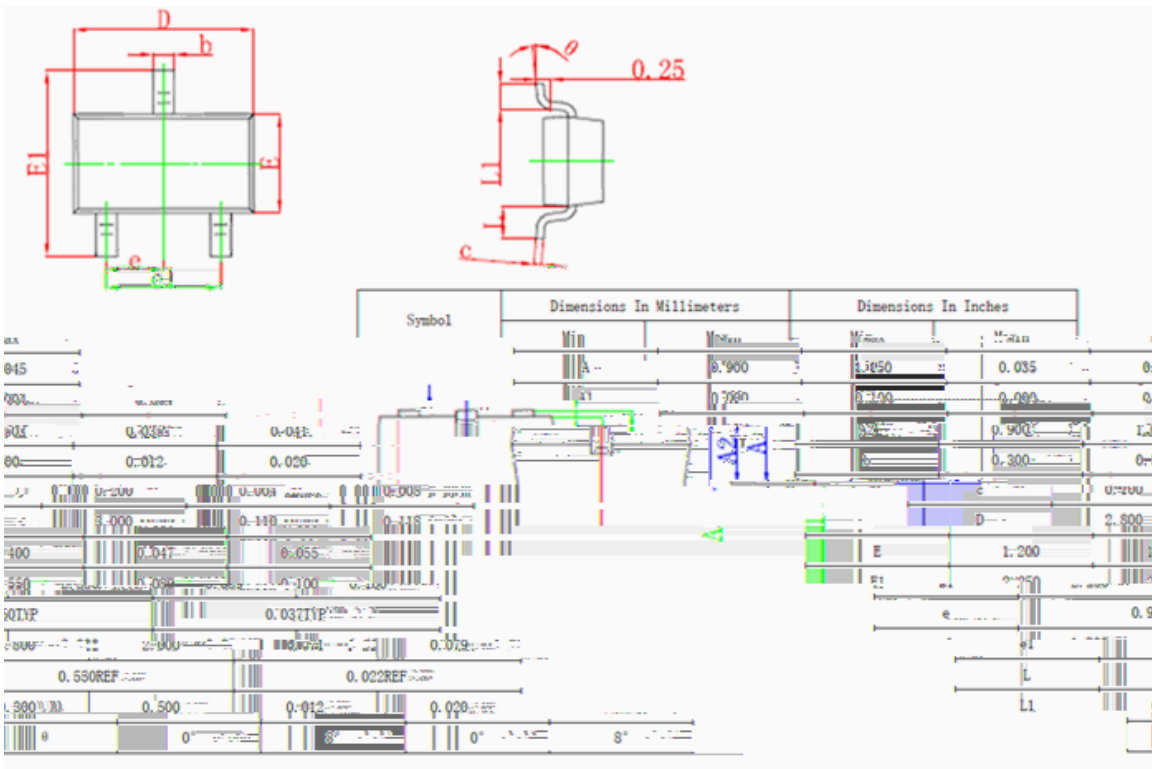




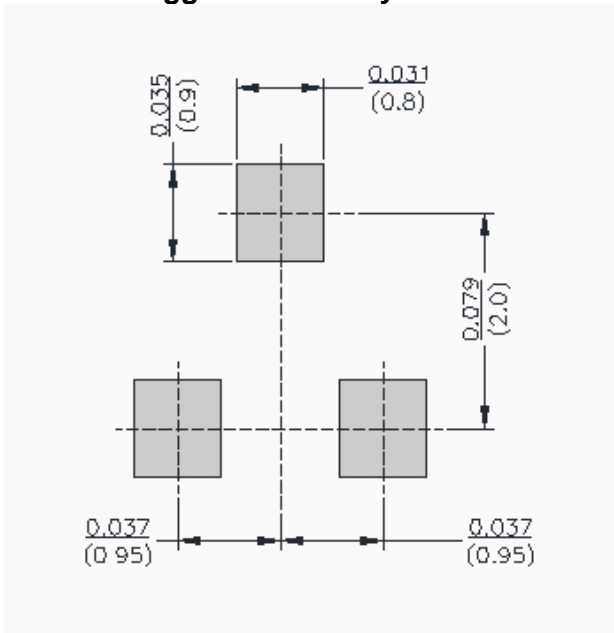


# AZ23C2V4-AZ23C47

## SOT-23 Package Outline Dimensions



## SOT-23 Suggested Pad Layout





**Disclaimer**